

pmb

CATALOG OF PRODUCTS

Email: sales@nbplumbtech.com

TEL: +86-19817374343

Website: www.nbplumbtech.com



LINE
DAKOTA
SINGLE LEVER
LAVATORY

LINE
AURA
WASHBASIN
PEDESTAL



DAKOTA LINE

MEMPHIS	04
VERMONT	06
MAINE	08
AUSTIN	10
MIAMI	12
DAKOTA	16
DENVER	18
CINCINNATI	20

TAPS

ILLINOIS	22
ISABELLA	23
ARIZONA	23
LAVATORY KEY	24
WASHING MACHINE KEY	24

ACCESSORIES

YORK	25
BENTON	26

COMPLEMENTS

AURA TOILETS	27
AURA HANDSINK	28

Memphis line

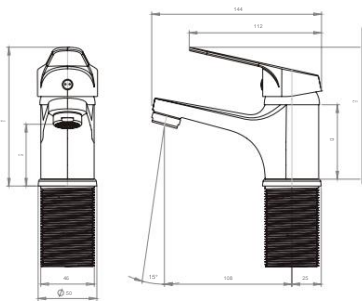


SINK MIXER

COD. 20MH5003400

- Handle with 100° rotation that allows mixing the water temperature.
- Connection: By 2 flexible M10 x 1/2" of 35 cm.
- Closure type: 40 mm ceramic cartridge.
- Material: Brass (Copper and Zinc Alloy).
- Complies with water saving regulations (4-9 lt/min. A 3 bares).
- Complies with Chilean standard Nch 700-2011.

✓ Includes: Installation set by fixing nut.

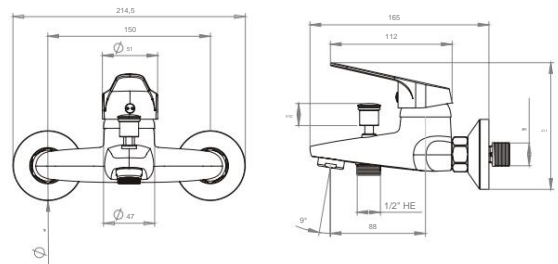


SINGLE LEVER TUB SHOWER

COD. 2MMH520300

- Handle with 100° rotation that allows mixing the water temperature.
- Connection: By 2 SG 1/2"x3/4 eccentrics.
- Closure type: 40mm ceramic cartridge.
- Material: Brass (Copper and Zinc Alloy).
- Complies with water saving regulations (12 Lt/Min. at 3 bars).
- Complies with Chilean standard Nch 700-2011.

✓ Includes: Installation set for 2 S-Connector, 2 bells, flexible 1.50 mts., shower and bracket.



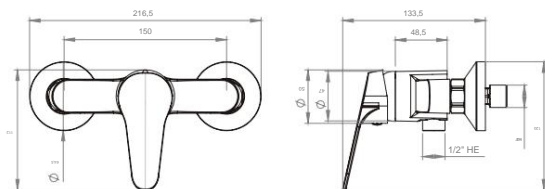


SHOWER MIXER

COD. 20MH5303000

- Handle with 100° rotation that allows mixing the water temperature.
- Connection: 2 S-Connector SG 1/2" x 3/4".
- Closure type: 40mm ceramic cartridge.
- Material: Brass (Copper and Zinc Alloy).
- Complies with water saving regulations (12 Lt/Min. at 3 bars).
- Complies with Chilean standard Nch 700-2011.

✓ Includes: 2 S-Connector, 2 bells, flexible 1.50 mts., shower and bracket.

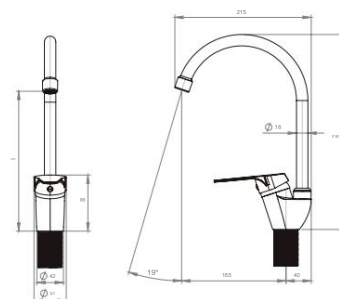


KITCHEN FAUCET MIXER

COD. 20MH5603400

- Handle with 100° rotation that allows mixing the water temperature.
- Connection: By 2 flexible M10 x 1/2" 35 cm.
- Closure type: 40 mm ceramic cartridge.
- Material: Brass (Copper and Zinc Alloy).
- Complies with water saving regulations (4-9lt/min. A3bares).
- Complies with Chilean standard Nch 700-2011.

✓ Includes: Installation set by fixing nut.



Vermont line

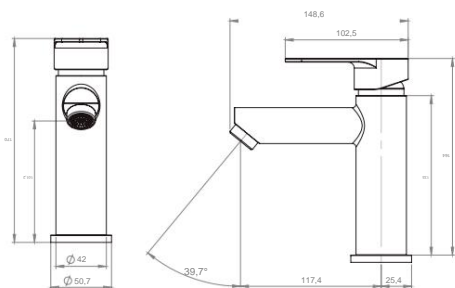


SINGLE LEVER SINK

COD. 20VT5003400

- Handle with a 90° turn that allows mixing the water temperature.
- Connection: By 2 flexible M10 x 1/2" of 35 cm.
- 35 mm ceramic closure.
- Material: Stainless Steel SS304.
- Termination: Satin Stainless.
- Complies with water saving regulations (4-9 lt/min. at 3 bars).
- Complies with Chilean standard Nch 700-2011.

✓ Includes: Installation set with fixing nut and 2 flexibles.

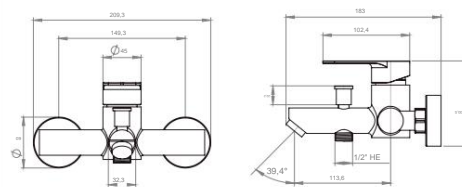


SINGLE LEVER TUB SHOWER

COD. 20VT5203400

- Handle with a 90° turn that allows mixing the water temperature.
- Connection: 2 cams SG 1/2 "x 3/4".
- 35 mm ceramic closure.
- Material: Stainless Steel SS304.
- Satin Stainless Finish.
- Complies with water saving regulations (12 Lt/Min. at 3 bars).
- Complies with Chilean standard Nch 700-2011.

✓ Includes: 2 S-Connector, 2 bells, flexible 1.50 mts., shower and bracket.

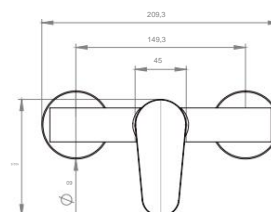


SHOWER MIXER

COD. 20VT5303400

- Handle with a 90° turn that allows mixing the water temperature.
- Connection: P 2 S-Connector SG 1/2 "x 3/4".
- 35 mm ceramic closure.
- Material: Stainless Steel SS304.
- Satin Stainless Finish.
- Complies with water saving regulations (12 Lt/Min. at 3 bars).
- Complies with Chilean standard Nch 700-2011.

✓ Includes: 2 S-Connector, 2 bells, flexible 1.50 mts., shower and bracket.



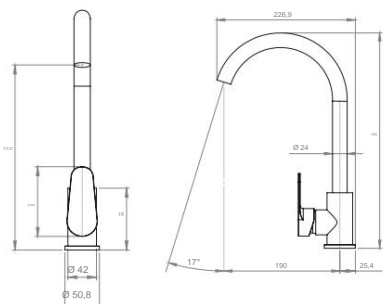


KITCHEN FAUCET MIXER

COD. 20VT5603400

- Handle with a 90° turn that allows mixing the water temperature.
- Connection: By 2 flexible M10 x 1/2" of 35 cm.
- Closure type: 35 mm ceramic cartridge.
- Material: Stainless Steel SS304.
- Satin Stainless Finish.
- Complies with water saving regulations (12 Lt/Min. a 3 bares).
- Complies with Chilean standard Nch 700-2011.

✓ Includes: Installation set with fixing nut and 2 flexibles.

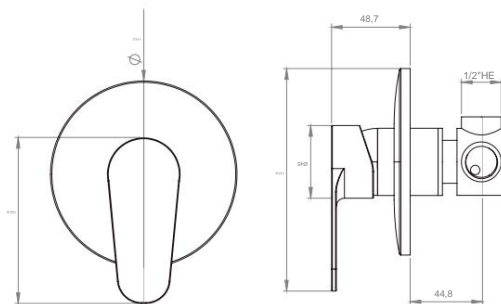


IN WALL SHOWER MIXER

COD. 20VT5703400

- Handle with a 90° turn that allows mixing the water temperature.
- Connection: to wall, with direct connection to pipes.
- Closure type: 40 mm ceramic cartridge.
- Material: Stainless Steel SS304.
- Satin Stainless Finish.
- Complies with water saving regulations (12 Lt/Min. at 3 bars).
- Complies with Chilean standard Nch 700-2011.

✓ Includes: Installation set for 1/2" HI threaded union (body).



Maine line

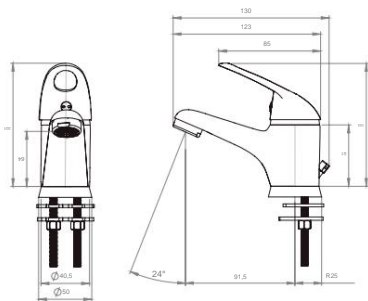


FULL KIT BASIN TAP

COD. 20MN5003000

- Handle with a 90° turn that allows mixing the water temperature.
- Connection: By 2 flexible M10 x 1/2" of 35 cm.
- Closure type: 35 mm ceramic cartridge.
- Material: Brass (Copper and Zinc Alloy).
- Complies with water saving regulations (4-9 lt/min. A 3 bares).
- Complies with Chilean standard Nch 700-2011.

✓ Includes: Horseshoe fixing installation set, 2 flexibles.

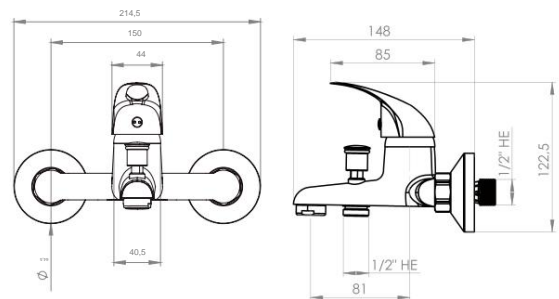


SINGLE LEVER TUB SHOWER

COD. 20MN5203000

- Handle with a 90° turn that allows mixing the water temperature.
- Connection: 2 S-Connector SG 1/2 "x 3/4".
- Closure type: 35mm ceramic cartridge.
- Material: Brass (Copper and Zinc Alloy).
- Complies with water saving regulations (12 Lt/Min. a 3 bares).
- Complies with Chilean standard Nch 700-2011.

✓ Includes: 2 S-Connector, 2 bells, flexible 1.50 mts., shower and bracket.



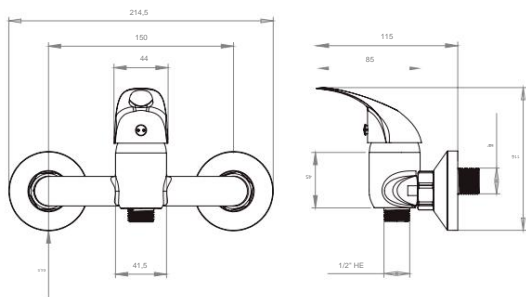


SHOWER MIXER

COD. 20MN5303000

- Handle with a 90° turn that allows mixing the water temperature.
- Connection: 2 S-Connector SG 1/2 "x 3/4".
- Closure type: 35mm ceramic cartridge.
- Material: Brass (Copper and Zinc Alloy).
- Complies with water saving regulations (12 Lt/Min. at 3 bars).
- Complies with Chilean standard Nch 700-2011.

✓ Includes: 2 S-Connector, 2 bells, flexible 1.50 mts., shower and bracket.

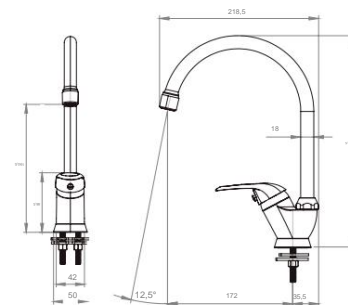


KITCHEN FAUCET MIXER

COD. 20MN5603000

- Handle with 100° rotation that allows mixing the water temperature.
- Connection: By 2 flexible M10 x 1/2" of 35 cm.
- Closure type: 40 mm ceramic cartridge.
- Material: Brass (Copper and Zinc Alloy).
- Complies with water saving regulations (4-9 lt/min. A 3 bars).
- Complies with Chilean standard Nch 700-2011.

✓ Includes: Horseshoe fixing installation set, 2 flexibles.



Austin line

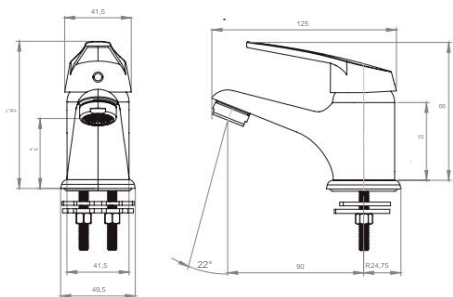


FULL KIT SANITARIO VERTICAL

COD. 20AS5003400

- Handle with 100° rotation that allows mixing the water temperature.
- Connection: By 2 flexible M10 x 1/2" of 35 cm.
- Closure type: 40 mm ceramic cartridge.
- Material: Brass (Copper and Zinc Alloy).
- Complies with water saving regulations (4-9 lt/min. A 3 bares).
- Complies with Chilean standard Nch 700-2011.

✓ Includes: Installation set with fixing nut and 2 flexibles.

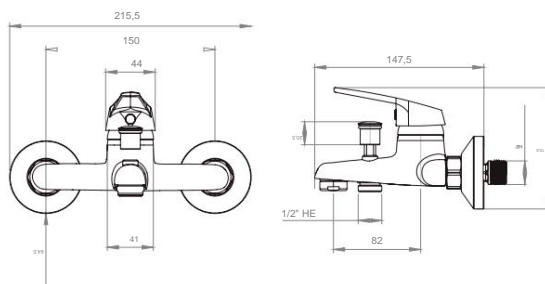


SINGLE LEVER TUB SHOWER

COD. 20AS5203400

- Handle with a 90° turn that allows mixing the water temperature.
- Connection: By 2 S-Connector SG 1/2 "x 3/4".
- Closure type: 35 mm ceramic cartridge.
- Material: Brass (Copper and Zinc Alloy).
- Complies with water saving regulations (12 Lt/Min. a 3 bares).
- Complies with Chilean standard Nch 700-2011.

✓ Includes: 2 S-Connector, 2 bells, flexible 1.50 mts., shower and bracket.



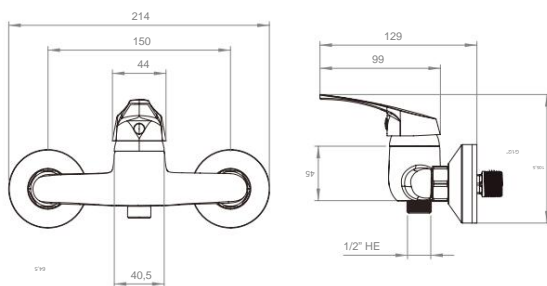


SHOWER MIXER

COD. 20AS5303400

- Handle with a 90° turn that allows mixing the water temperature.
- Connection: By 2 S-Connector SG 1/2" x 3/4".
- Closure type: 35 mm ceramic cartridge.
- Material: Brass (Copper and Zinc Alloy).
- Complies with water saving regulations (12 Lt/Min. a 3 bares).
- Complies with Chilean standard Nch 700-2011.

✓ Includes: 2 S-Connector, 2 bells, flexible 1.50 mts., shower and bracket.

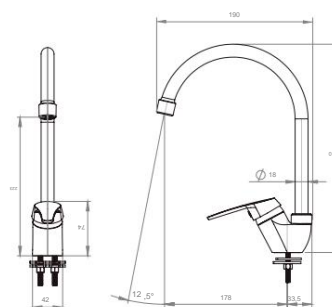


KITCHEN FAUCET MIXER

COD. 20AS5603400

- Handle with a 90° turn that allows mixing the water temperature.
- Connection: By 2 flexible M10 x 1/2" of 35 cm.
- Closure type: 35 mm ceramic cartridge.
- Material: Brass (Copper and Zinc Alloy).
- Complies with water saving regulations (4-9 lt/min. A 3 bares).
- Complies with Chilean standard Nch 700-2011.

✓ Includes: Installation set by fixing nut.



Miami line

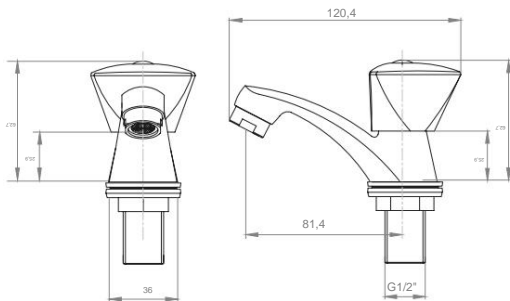


WASH BASIN FAUCET

COD. 20PL0101998

- Opening of the water passage with counterclockwise rotation.
- Brass body (Copper and Zinc Alloy).
- Connection: By 1 flexible M10 x 1/2" of 35 cm.
- 1/4 turn stem.
- Complies with water saving regulations (4-9 lt/min. at 3 bars).
- Complies with Chilean standard Nch 700-2011.

✓ Includes: Installation set by nut by plastic nut.

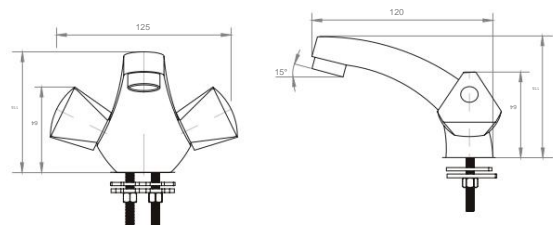


MONOBLOCK WASHBASIN

COD. 20PL3505000

- Opening of the water passage with counterclockwise rotation.
- Brass body (Copper and Zinc Alloy).
- Connection: By 1 flexible M10 x 1/2" of 35 cm.
- 1/4 turn stem.
- Complies with water saving regulations (4-9 lt/min. at 3 bars).
- Complies with Chilean standard Nch 700-2011.

✓ Includes: Installation set for horseshoe fixation.



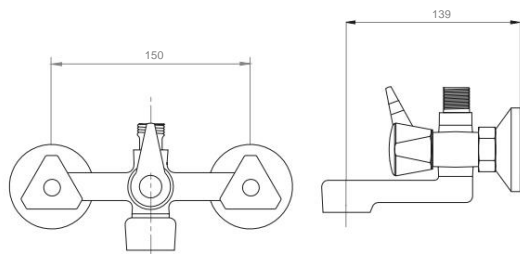


TUB SHOWER FAUCET

COD.20PL1005000

- Handle with anticlockwise opening.
- Connection: By 2 S-Connector SG 1/2 "x 3/4".
- Non-displaceable stem.
- Material: Brass (Copper and Zinc Alloy).
- Complies with water saving regulations (12 Lt/Min. at 3 bars).
- Complies with Chilean standard Nch 700-2011.

✓ Includes: 2 S-Connector, 2 bells, flexible 1.50 mts., shower and bracket.

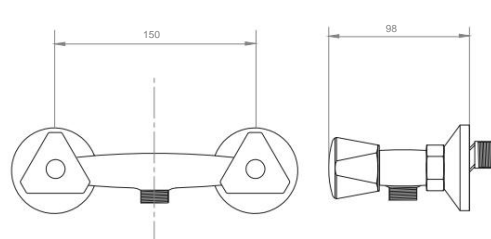


SHOWER FAUCET

COD. 20PL2505000

- Handle with anticlockwise opening.
- Connection: By 2 S-Connector SG 1/2 "x 3/4".
- Non-displaceable stem.
- Material: Brass (Copper and Zinc Alloy).
- Complies with water saving regulations (12 Lt/Min. at 3 bars).
- Complies with Chilean standard Nch 700-2011.

✓ Includes: 2 S-Connector, 2 bells, flexible 1.50 mts., shower and bracket.



Miami line

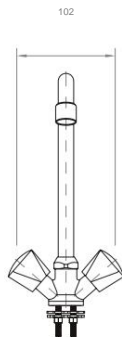


DOUBLE HANDLE
KITCHEN FAUCET

COD. 20PL4005000

- Opening of the water passage with counterclockwise rotation.
- Connection: By 2 flexible M10 x 1/2" of 35 cm.
- Brass body (Copper and Zinc Alloy).
- 1/4 turnstem.
- Complies with water saving regulations (4-9 lt/min. at 3 bars).
- Complies with Chilean standard Nch 700-2011.

Includes: Installation set for horseshoe fixation.

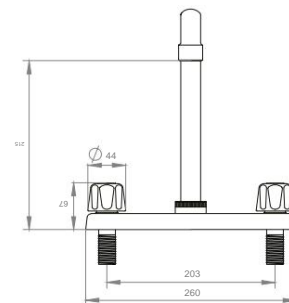


KITCHEN FAUCET DOUBLE HANDLE
WITH BASE

COD. 20PL1003100

- Opening of the water passage with counterclockwise rotation.
- Connection: By 2 flexible M10 x 1/2" of 35 cm.
- High resistance polymer body.
- 1/4 turnstem.
- Complies with water saving regulations (4-9 lt/min. A 3 bares).
- Complies with Chilean standard Nch 700-2011.

Includes: Installation set by nut BY plastic nut.



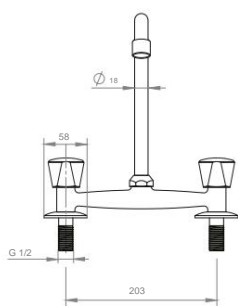


DOUBLE HANDLE
KICTHEN FAUCET

COD. 20PL1005000

- Opening of the water passage with counterclockwise rotation.
- Connection: By 2 flexible M10 x 1/2" of 35 cm.
- Brass body (Copper and Zinc Alloy).
- 1/4 turnstem.
- Complies with water saving regulations (4-9 lt/min. at 3 bars).
- Complies with Chilean standard Nch 700-2011.

✓ Includes: Installation set by nut BY plastic nut.

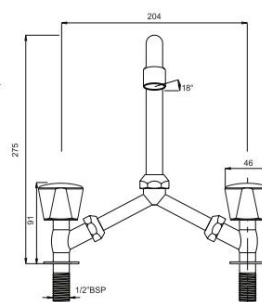


DOUBLE HANDLE
KICTHEN FAUCET V

COD. 20PL1503000

- Opening of the water passage with counterclockwise rotation.
- Connection: By 2 flexible M10 x 1/2" of 35cm.
- Metallic body.
- 1/4 turn stem.
- Complies with water saving regulations (4-9 lt/min. at 3 bars).
- Complies with Chilean standard Nch 700-2011.

✓ Includes: Installation set by nut BY plastic nut.



Dakota line

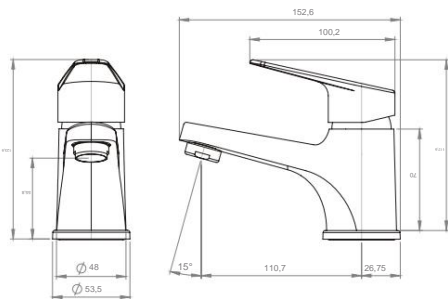


SINK MIXER

COD. 20DK5003400

- Handle with a 90° turn that allows mixing the water temperature.
- Connection: by 2 flexible M10 x 1/2" of 35 cm.
- Closure type: 35 mm ceramic.
- Material: High resistance polymer.
- Complies with water saving regulations (Less than 9 Lt/Min. at 3 bars).
- CVS compliant, with restrictor application. (Maximum flow 8 Lts./min. at 4 bars).
Complies with Chilean standard NCH700-2011.

✓ Includes: Installation set by fixing nut.

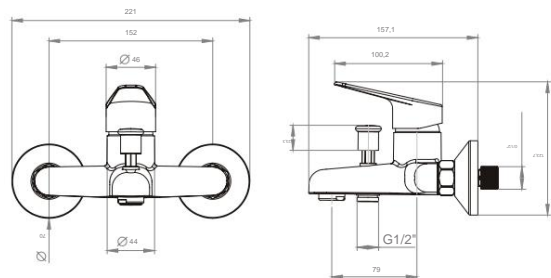


SINGLE LEVER TUB SHOWER

COD. 20DK5203400

- Handle with a 90° turn that allows mixing the water temperature.
- Connection: By 2 S-Connector SG 1/2 "x 3/4".
- Closure type: 35 mm ceramic.
- Material: High resistance polymer.
- Complies with water saving regulations (Less than 9 Lt/Min. at 3 bars).
- CVS compliant, with restrictor application. (Maximum flow 8 Lts./min. at 5.5 bars).
- Complies with Chilean standard NCH700-2011.

✓ Includes: 2 S-Connector, 2 bells, flexible 1.50 mts., shower and bracket.



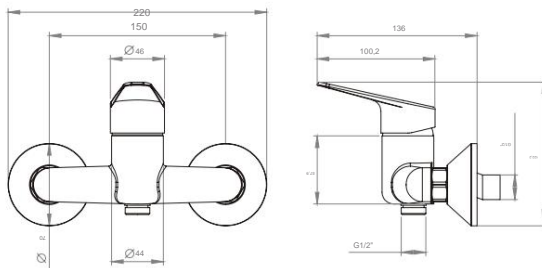


SHOWER MIXER

COD. 20DK5303400

- Handle with a 90° turn that allows mixing the water temperature.
- Connection: By 2 S-Connector SG 1/2 "x 3/4".
- Closure type: 35 mm ceramic.
- Material: High resistance polymer.
- Complies with water saving regulations (Less than 9 Lt/Min. at 3 bars).
- CVS compliant, with restrictor application. (Maximum flow 8 Lts./min. at 5.5 bars).
- Complies with Chilean standard NCH700-2011.

✓ Includes: 2 S-Connector, 2 bells, flexible 1.50 mts., shower and bracket.

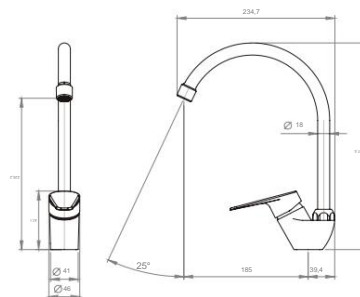


KITCHEN FAUCET MIXER

COD. 20DK5603400_1

- Handle with a 90° turn that allows mixing the water temperature.
- Connection: by 2 flexible M10 x 1/2" of 35 cm.
- Closure type: 35 mm ceramic.
- Material: High resistance polymer.
- Complies with water saving regulations (Less than 9 Lt/Min. at 3 bars).
- CVS compliant, with restrictor application. (Maximum flow 8 Lts./min. at 4 bars).
- Complies with Chilean standard NCH700-2011.

✓ Includes: Installation set for horseshoe fixation and 2 flexibles.



Denver Line

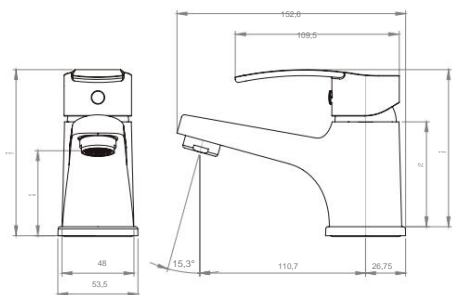


SINK MIXER

COD. 20DV5003000

- Handle with a 90° turn that allows mixing the water temperature.
- Connection: by 2 flexible M10 x 1/2" of 35 cm.
- Closure type: 35 mm ceramic.
- Material: High resistance polymer.
- Complies with water saving regulations (Less than 4-9 Lt/Min. at 3 bars).
- Complies with Chilean standard NCH 700-2011.

✓ Includes: Installation set for horseshoe fixation and 2 flexibles.

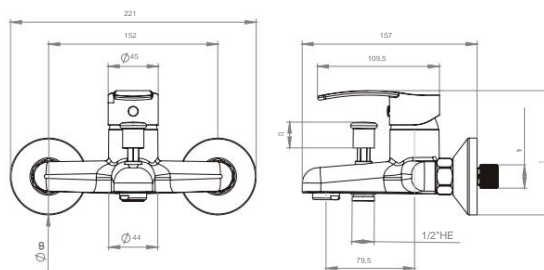


SINGLE LEVER TUB SHOWER

COD. 20DV5203000

- Handle with a 90° turn that allows mixing the water temperature.
- Connection: By 2 S-Connector SG 1/2 "x 3/4".
- Closure type: 35 mm ceramic.
- Material: High resistance polymer.
- Complies with water saving regulations (12 Lt/Min. at 3 bars).
- Complies with Chilean standard NCH 700-2011.

✓ Includes: Installation set by fixing nut.



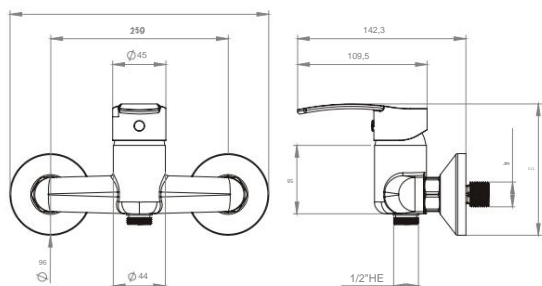


SHOWER MIXER

COD. 20DV5303000

- Handle with a 90° turn that allows mixing the water temperature.
- Connection: By 2 S-Connector SG 1/2 "x 3/4".
- Closure type: 35 mm ceramic.
- Material: High resistance polymer.
- Complies with water saving regulations (12 Lt/Min. at 3 bars).
- Complies with Chilean standard NCH 700-2011.

✓ Includes: 2 S-Connector, 2 bells, flexible 1.50 mts., shower and bracket.

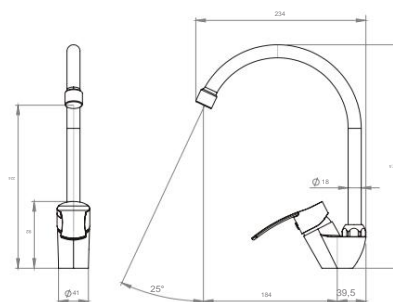


KITCHEN FAUCET MIXER

COD. 20DV5603000

- Handle with a 90° turn that allows mixing the water temperature.
- Connection: By 2 S-Connector SG 1/2 " x 3/4".
- Closure type: 35 mm ceramic.
- Material: High resistance polymer.
- Complies with water saving regulations (12 Lt/Min. at 3 bars).
- Complies with Chilean standard NCH 700-2011.

✓ Includes: Installation set for horseshoe fixation and 2 flexibles.



Cincinnati line

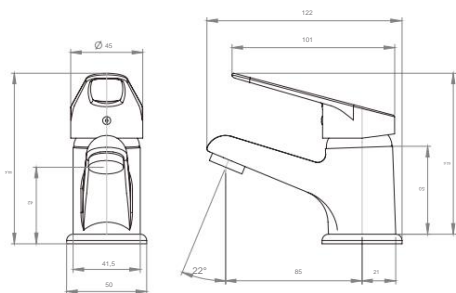


SINK MIXER

COD. 20CI5003000

- Handle with a 90° turn that allows mixing the water temperature.
- Connection: by 2 flexible M10 x 1/2" of 35 cm.
- Closure type: 35 mm ceramic.
- Material: hybrid (Aluminum Alloy and Zinc).
- Complies with water saving regulations (Less than 4-9 Lt/Min. at 3 bars).

✓ Includes: Installation set for horseshoe fixation and 2 flexibles.

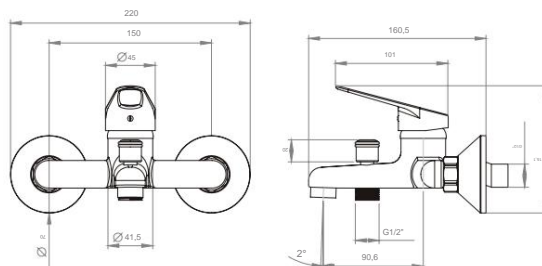


SINGLE LEVER TUB SHOWER

COD. 20CI5203000

- Handle with a 90° turn that allows mixing the water temperature.
- Connection: By 2 eccentric SG 1/2 "x 3/4".
- Closure type: 35 mm ceramic.
- Material: hybrid (Aluminum Alloy and Zinc).
- Complies with water saving regulations (Less than 4-9 Lt/Min. at 3 bars).

✓ Includes: 2 S-Connector, 2 bells, flexible 1.50 mts., shower and bracket.



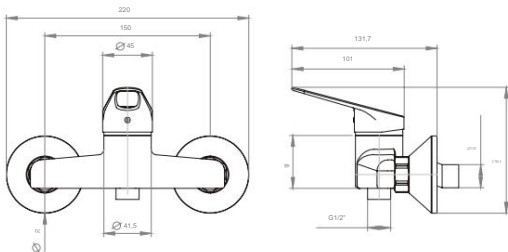


SHOWER MIXER

COD. 20CI5303000

- Handle with a 90° turn that allows mixing the water temperature.
- Connection: By 2 S-Connector SG 1/2 "x 3/4".
- Closure type: 35 mm ceramic.
- Material: hybrid (Aluminum Alloy and Zinc).
- Complies with water saving regulations (Less than 4-9 Lt/Min. at 3 bars).

✓ Includes: 2 S-Connector, 2 bells, flexible 1.50 mts., shower and bracket.

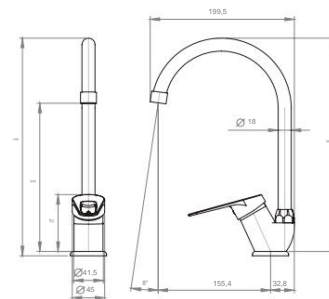


KITCHEN FAUCET MIXER

COD. 20CI5603000

- Handle with a 90° turn that allows mixing the water temperature.
- Connection: By 2 S-Connector SG 1/2 "x 3/4".
- Closure type: 35 mm ceramic.
- Material: hybrid (Aluminum Alloy and Zinc).
- Complies with water saving regulations (Less than 4-9 Lt/Min. at 3 bars).

✓ Includes: Installation set for horseshoe fixation and 2 flexibles.



Illinois

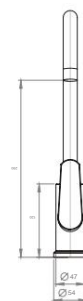


SINGLE LEVER
KITCHEN FAUCET

COD. 20IL5603000

- Handle with a 90° turn that allows mixing the water temperature.
- Connection: by 2 flexible M10 x 1/2" of 35 cm.
- Closure type: 35 mm ceramic.
- Material: High resistance polymer.
- Complies with watersaving regulations (Less than 4-9 Lt/Min. at 3 bars).
- Complies with Chilean standard NCH700-2011.

✓ Includes: FastFix installation set (Stretto) and 2 hoses.



Isabella / Arizona

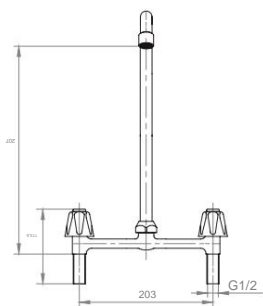


DOUBLE HANDLE
ISABELLA KITCHEN FAUCET

COD. 20PL1003111

- Opening of the water passage with counterclockwise rotation.
- Connection: 2 flexible M10 x 1/2" of 35 cm. (Not included).
- Hybrid body (aluminum and zinc alloy), Stainless Steel Spout (SS304).
- Non-displaceable stem.
- Complies with water saving regulations (4-9 lt/min. at 3 bars).

✓ Includes: Installation set for plastic nut.

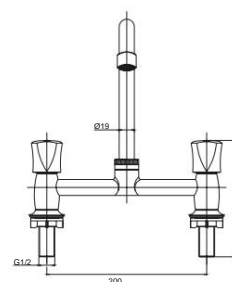


DOUBLE HANDLE
ARIZONA KITCHEN FAUCET

COD. 20AZ1003000

- Opening of the water passage with counterclockwise rotation.
- Connection: 2 flexible M10 x 1/2" of 35 cm.
- High resistance polymer body (ABS), stainless steel spout (SS304).
- Material: High resistance polymer.
- 1/4 turn stem.
- Complies with water saving regulations (4-9 lt/min. at 3 bars).

✓ Includes: Installation set by fixing nut.



Plumber line

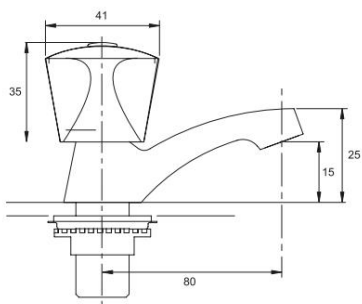


WASHBASIN FAUCET

COD. 20PL0101000

- Opening of the water passage with counterclockwise rotation.
- Connection: By 1 flexible 1/2" of 35 cm.
- Material: Brass.
- 1/4 turn stem
- Complies with water saving regulations (4-9 lt/min. A 3 bares).

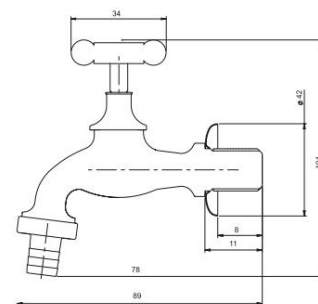
✓ Includes: Installation set for horseshoe fixation and 1 flexible.



WASHER FAUCET WITH FLANGE

COD. 20PL0503103

- Opening of the water passage with counterclockwise rotation.
- Connection: By 1/2" HE threaded union.
- Movable stem.



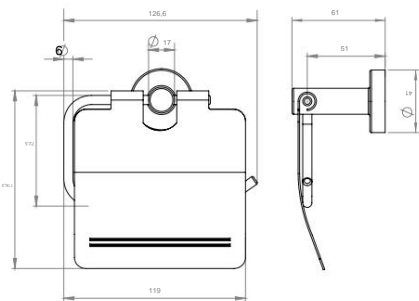
York line



ROLL HOLDER

COD. 21PL0000100

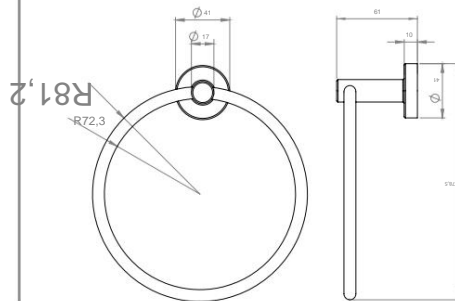
- Material: Metallic.
- ✓ Includes: Installation set and fixings.



TOWEL RING

COD. 21PL0000101

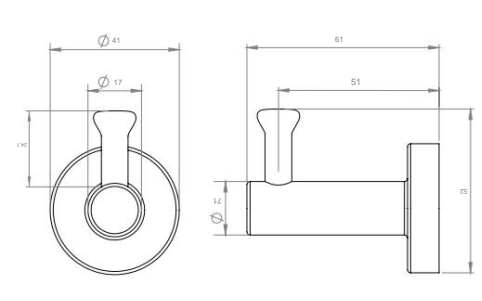
- Material: Metallic.
- ✓ Includes: Installation set and fixings.



PERCHA SIMPLE

COD. 21PL0000104

- Material: Metallic.
- ✓ Includes: Installation set and fixings.



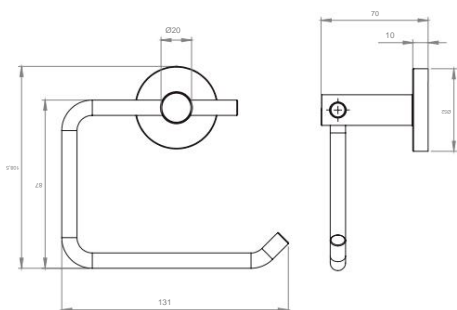
Benton line



ROLL HOLDER

COD. 21BE0000110

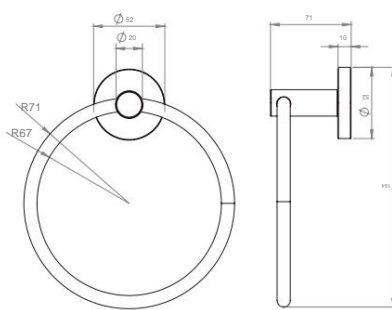
- Material: Metallic.
- ✓ Includes: Installation set and fixings.



TOWEL RING

COD. 21BE0000111

- Material: Metallic.
- ✓ Includes: Installation set and fixings.



TOWEL BAR

COD. 21BE0000113

- Material: Metallic.
- ✓ Includes: Installation set and fixings.

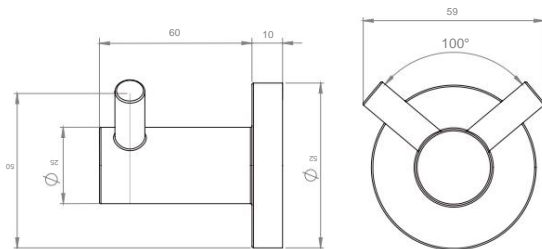




DOUBLE HANGER

COD. 21BE0000114

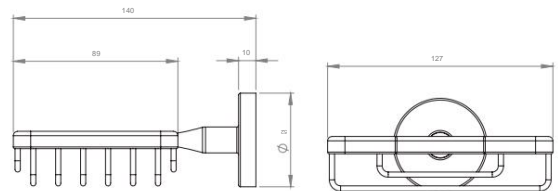
- Material: Metallic.
- ✓ Includes: Installation set and fixings.



SOAP HOLDER

COD. 21BE0000116

- Material: Metallic.
- ✓ Includes: Installation set and fixings.



Aura Line

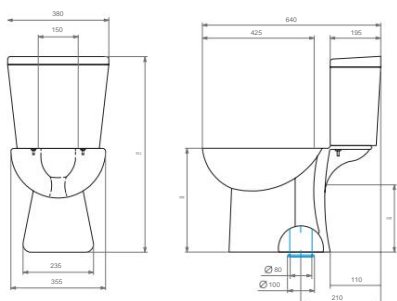


FULL KIT SANITARIO VERTICAL

Element	Code
Cup	60AU1005000
Pond	60AU3001050
seat and lid	60AU1901050
Sleeve	21PB3001001

- Dual Wash flush drive down.
- Vertical outlet to floor: 210 mm.
- Vitrified earthenware material.
- Installation with Sleeve.
- Complies with NCh 407 standard (high efficiency and good performance)

✓ Includes: Set of fixings for bowl, fixings and mechanisms for pond.

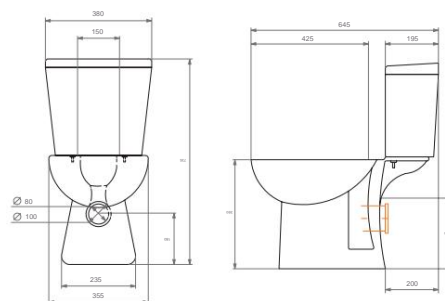


FULL KIT SANITARIO HORIZONTAL

Element	Code
Cup	60AU1105000
Pond	60AU3001050
seat and lid	60AU1901050
Sleeve	21AU3005000

- Dual Wash flush drive down.
- Horizontal outlet to wall: 180 mm.
- Vitrified earthenware material.
- Installation with WC Aura seal (21AU3005000) not included.
- Complies with NCh 407 standard (high efficiency and good performance)

✓ Includes: Set of fixings for bowl, fixings and mechanisms for pond.



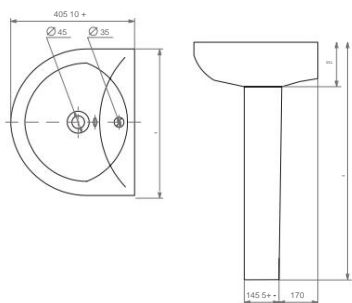


FULL KIT SANITARIO VERTICAL

Element	Code
Washbasin	60AU2001000
Pedestal	60AU4101000
Drain	20ST4600302
Siphon	20PB5003004

- Vitreous earthenware vanity, white color controlled by Pantone.
- Sink: 13 Kg
- Pedestal: 13 Kg.
- Complies with NCh 407 standard.

✓ Includes: Wall fixings.



COMPLEMENTS



COD. 21PB3001001 MANGUITO



COD. 1AU300500 SELLO



CODE 20ST4600302 DRAIN



Cod. 20PB5003004 SIPHON



MOSAICO®
AGGIO stretto

Email: sales@nbplumbtech.com
TEL: +86-19817374343
Website: www.nbplumbtech.com